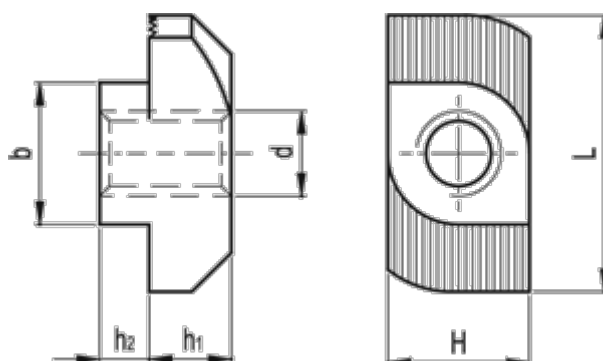


Article number: 20651388

Description: E+G Dowels for T-slots  
GN 505-10-M8-OB

## Measures



$b -0.1 -0.5 = 10$

$d = M8$

$H -0.1 -0.5 = 10$

$h1 -0.4 = 5.8$

$h2 = 3.5 -1$

$L +/-0.5 = 19$

Weight (g) = 6